



FUSE





MINIMAL DESIGN MEETS ACOUSTIC PERFORMANCE

Fuse provides a uniquely effective baffle design with a low-profile aesthetic, designed especially for spaces with low, hard ceilings where standard baffles or clouds aren't an option.

Available in 20 colors and three standard dimensions:

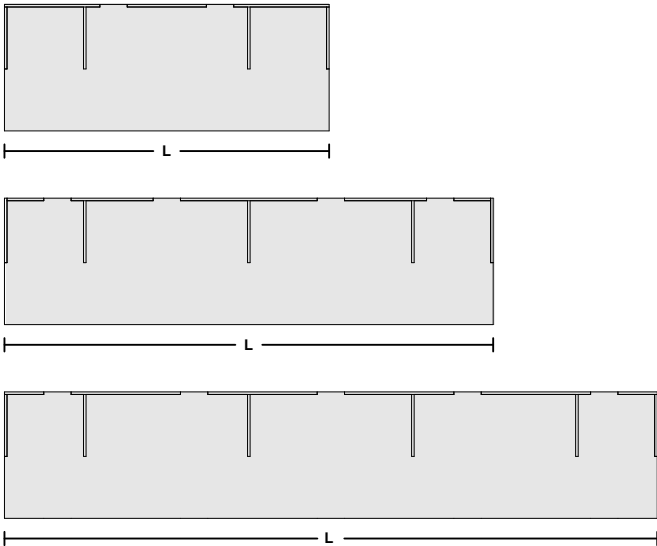
- 7"Hx48"Lx2.75"D
- 7"Hx72"Lx2.75"D
- 7"Hx96"Lx2.75"D
- Typical spacing 6" to 18"
- Custom sizes available.

PRODUCT SPECIFICATIONS

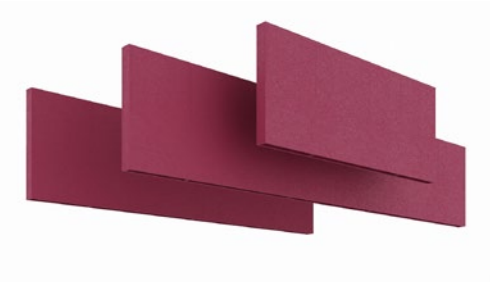
PROFILE



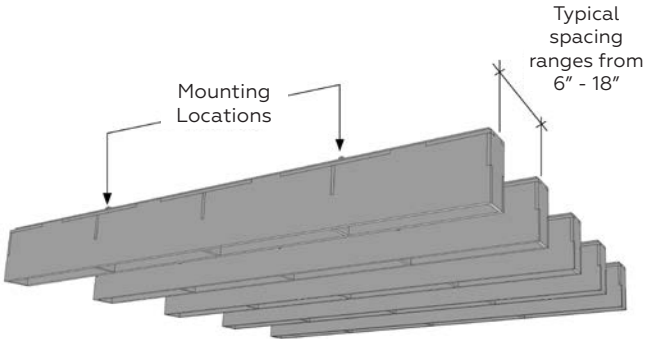
ELEVATION



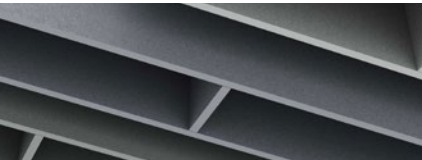
Custom design and configuration options



INSTALLATION



Acoustic panel detail





20 standard colors. Custom options available.



TECHNICAL SPECIFICATIONS

Absorption

Average NRC 0.85.

(subject to thickness and mounting conditions)

Material

100% polyester fiber acoustic felt.

Eco-Friendly

Yes! 60% recycled PET materials, 40% new material, non-toxic, non-allergenic, non-irritant, no coatings or sprays which degrade over time.

Fire Rating

ASTM E84 Class A Fire Spread rating is permanently achieved by infusing 40% new material into the panel. MPS never uses sprays or coatings that degrade and lose their rating status.

MOUNTING OPTIONS

