



NOTCH





MINIMAL DESIGN MEETS ACOUSTIC PERFORMANCE

Notch acoustic baffles incorporate an updated look and visual appeal while removing unwanted noise and echo from your space.

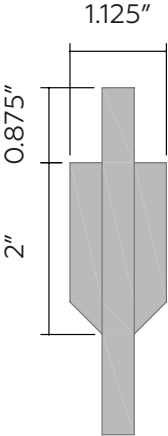
Available in 20 colors and three standard dimensions:

- 8"Hx48"L
- 8"Hx72"L
- 8"Hx96"L
- 12"Hx48"L
- 12"Hx72"L
- 12"Hx96"L
- Typical spacing 6" to 18"
- Custom sizes available.

PRODUCT SPECIFICATIONS

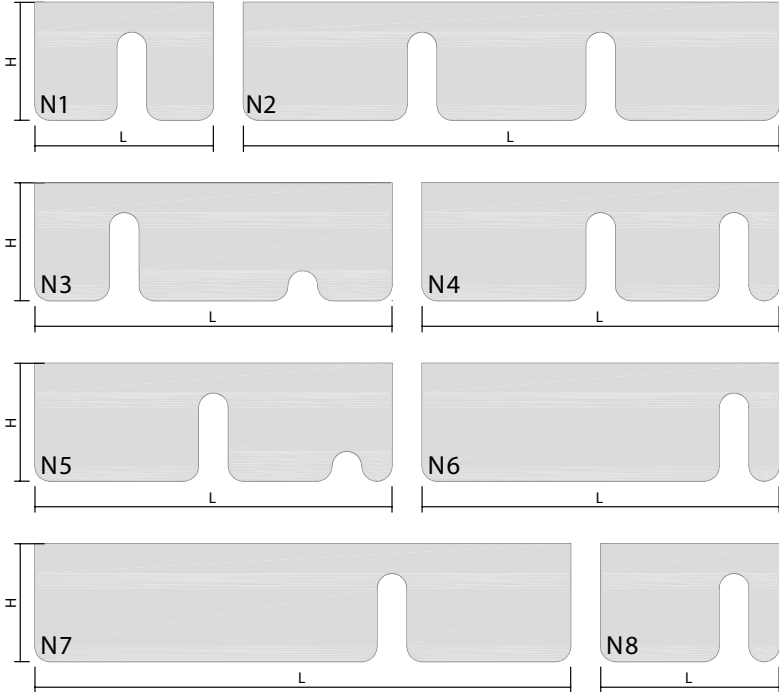
PROFILE

U-Channel/Magnet Lock Mount

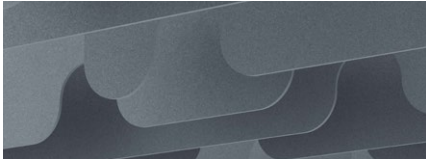


Custom design and configuration options

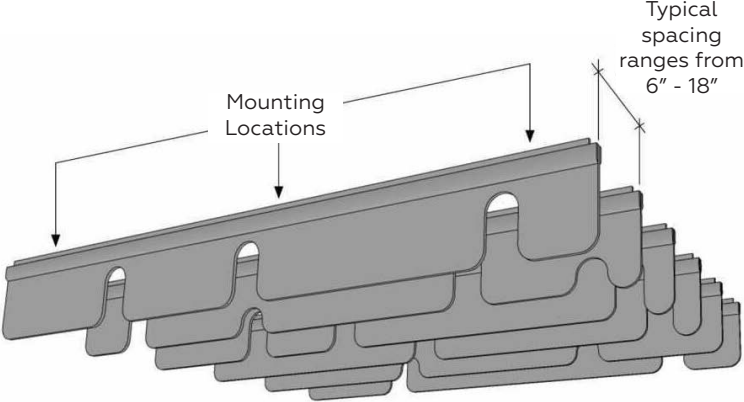
ELEVATION



Acoustic panel detail



INSTALLATION





20 standard colors. Custom options available.



TECHNICAL SPECIFICATIONS

Absorption

Average NRC 0.85.

(subject to thickness and mounting conditions)

Material

100% polyester fiber acoustic felt.

Eco-Friendly

Yes! 60% recycled PET materials, 40% new material, non-toxic, non-allergenic, non-irritant, no coatings or sprays which degrade over time.

Fire Rating

ASTM E84 Class A Fire Spread rating is permanently achieved by infusing 40% new material into the panel. MPS never uses sprays or coatings that degrade and lose their rating status.

MOUNTING OPTIONS

